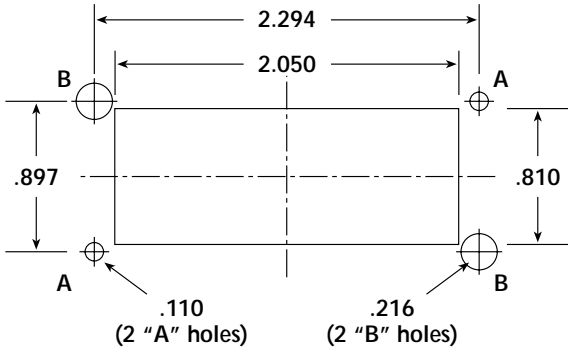
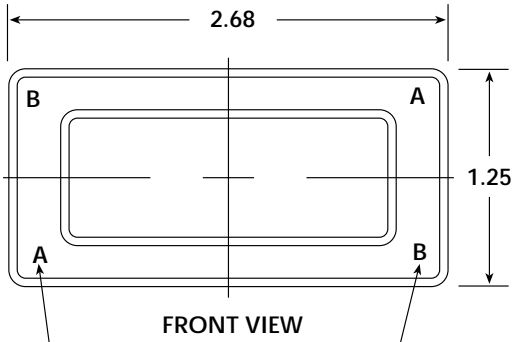
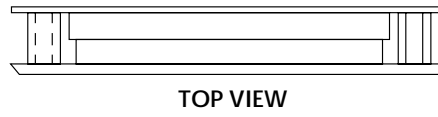


Panel Cutout Dimensions for Bezel B-1



B-1 Bezel Assembly

Includes Bezel, 2 ea. 2-56 screws and 2 ea. pushnut fasteners



Pushnut Fastener mounted from rear (2 each)

2-56 UNC Type F self tapping screws installed from rear (2 each)

